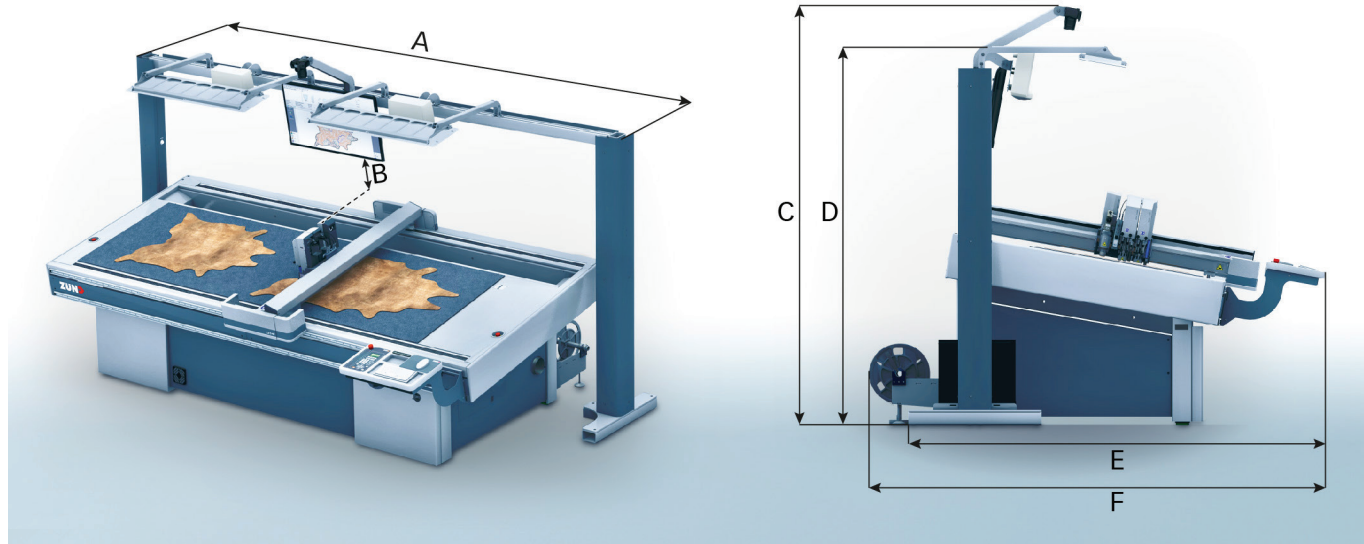


# Technical Data **L3 C-56** with projection system



ZST-03-2015-sfr

## Dimensions

<b>Width (A)</b>	4655 mm / 184"	<b>Height incl. projector (D)*</b>	2260 mm / 89"
<b>Min. distance between monitor and modules (B)</b>	120 mm / 4.72"	<b>Length incl. cutter with control panel (E)</b>	2488 mm / 98"
<b>Height incl. camera (C)*</b>	2530 mm / 100"	<b>Length incl. roll-off unit and cutter with control panel (F)</b>	2729 mm / 108"

\* Specifications apply only for devices recommended by Zünd (camera, projector).

Technical data subject to change without notice.